

FOUNDATION AND GROUND FLOOR PLAN
SCALE 1:50

LINTEL SCHEDULE	
LINTEL NUMBER	DESCRIPTION
L 1	STRESSLINE ZNo R15 - 100x140; CATNIC CNZ 95C
L 2	STRESSLINE ZNo R15 - 100x140; CATNIC CNZ 95C
L 3	STRESSLINE ZNo R15 - 100x140; CATNIC CNZ 95C
L 4	STRESSLINE ZNo R22A - 100x220; UEA 150x90x10 GMS
L 5	STRESSLINE ZNo R22A - 100x220; UEA 150x90x10 GMS
L 6	STRESSLINE ZNo R15 - 100x140;
L 7	STRESSLINE 1No R15 - 100x140;
L 8	STRESSLINE 1No R15 - 100x140;
L 9	STRESSLINE 1No R15 - 100x140;
L 10	CATNIC CN 71A

LEGEND:

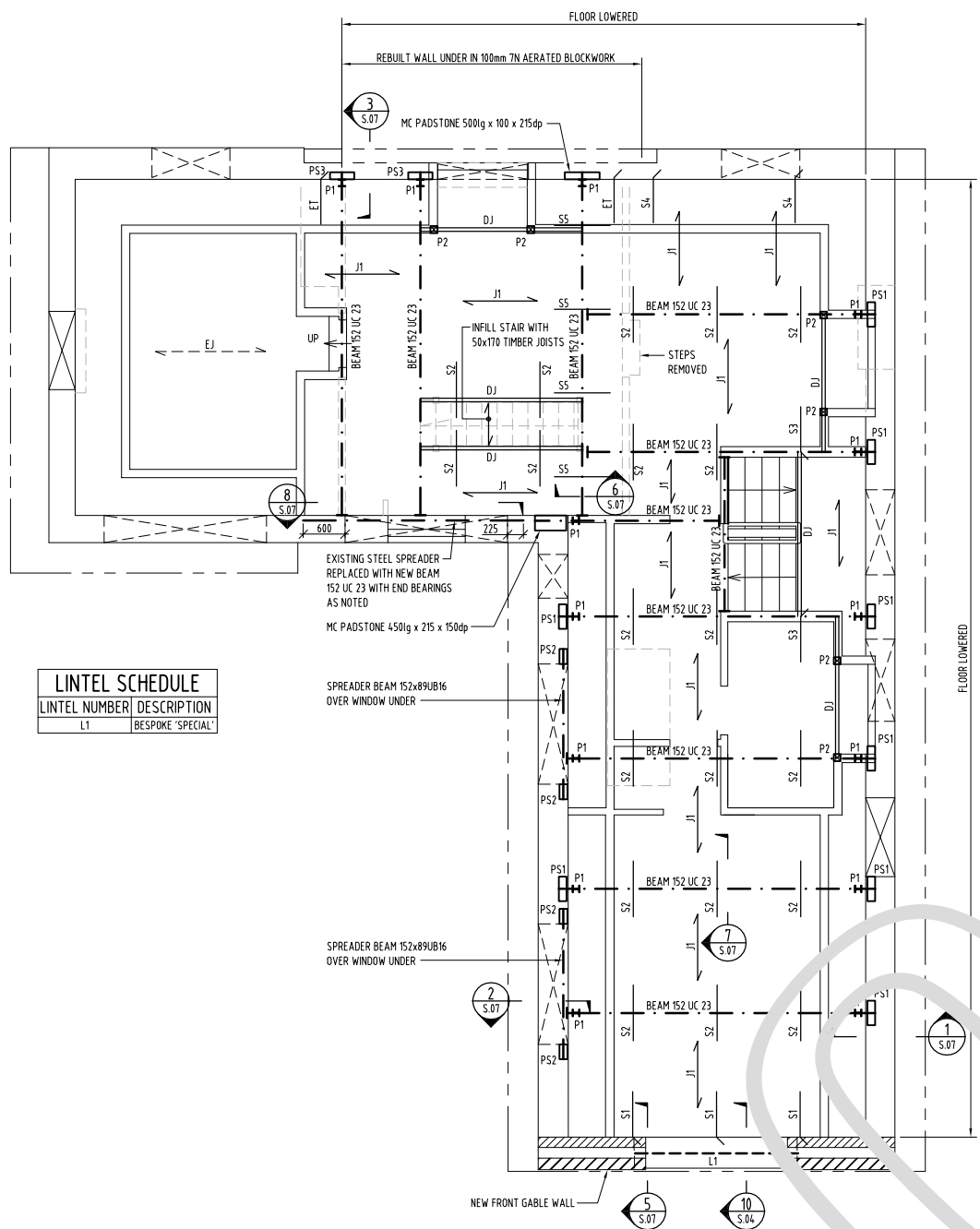
	100 THK L/B BLOCKWORK - 7M/m ²
	102 THK BRICKWORK
	75 THK CAVITY } CAVITY WALL
	100 THK BLOCKWORK }
P1	TIMBER POST 100x100 C24
P2	TIMBER POST OMITTED
F1	MC FOUNDATION 600x600x1000dp FROM EXISTING GROUND LEVEL
F2	MC FOUNDATION 600x600x2000dp + 50 THK CLAYMASTER ALL ROUND FROM EXISTING GROUND LEVEL
F3	MC FOUNDATION 1000x1000x1000dp FROM EXISTING GROUND LEVEL

NOTE 'A'

WINE CELLAR STRUCTURE SHALL BE DESIGNED TO RESIST THE SURCHARGE FROM THE EXISTING HOUSE FOOTINGS AND THE NEW 1000mm DEEP MASS CONCRETE FOOTINGS

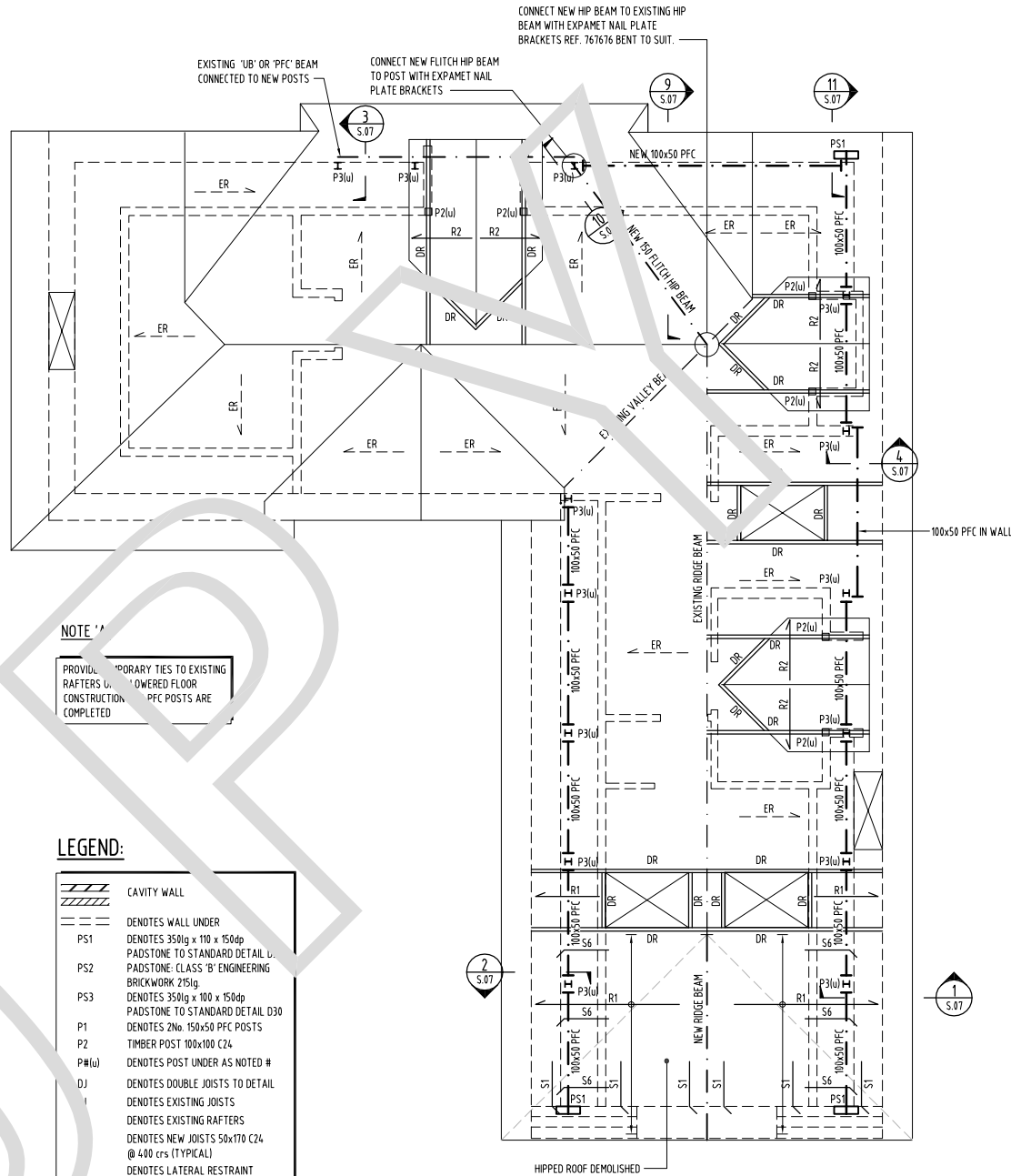
NOTES

1. GENERAL:
- 1.1 NO DIMENSIONS ARE TO BE SCALED FROM THIS DRAWING, ALL DIMENSIONS ARE TO BE ESTABLISHED ON SITE.
- 1.2 THIS DRAWING IS TO BE READ WITH ALL RELEVANT ARCHITECTS AND SERVICES ENGINEERS DRAWINGS AND SPECIFICATIONS FOR CONSTRUCTION DETAIL, PLUMBING, DRAINAGE, ELECTRICAL WORK, HEATING WORK, INSULATION, DAMP PROOF DETAILS, VENTILATION, FINISHES, JOINERY ETC.
- 1.3 THE CONTRACTOR IS TO NOTIFY THE CONTRACT ADMINISTRATION (C.A.) OF ANY DISCREPANCIES BETWEEN THIS DRAWING AND SITE CONDITIONS BEFORE IMPLEMENTING THE WORK.
- 1.4 ANY TEMPORARY WORKS NECESSARY SHALL BE THE SOLE RESPONSIBILITY OF THE CONTRACTOR.



LINTEL SCHEDULE	
LINTEL NUMBER	DESCRIPTION
LT	BESPOKE SPECIAL

TOP FLOOR PLAN
SCALE 1:50

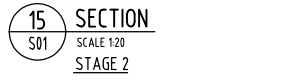
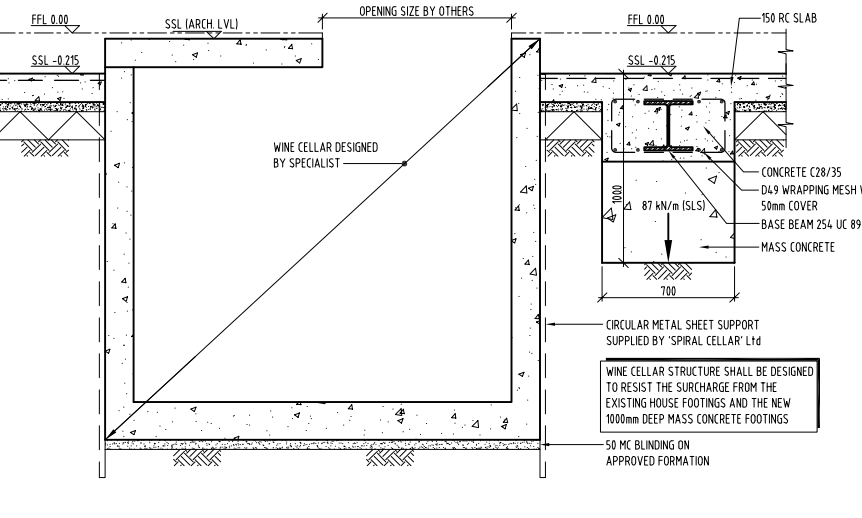
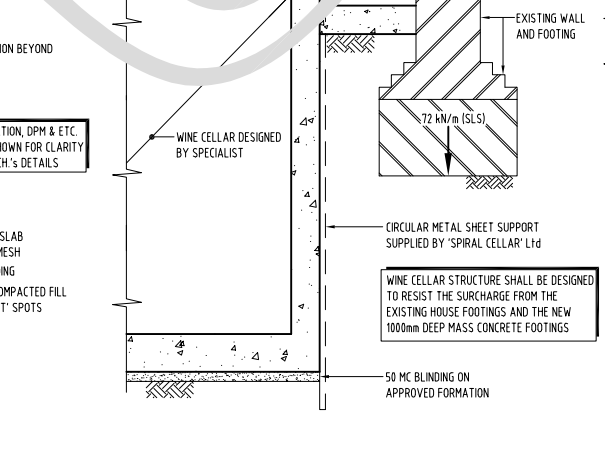
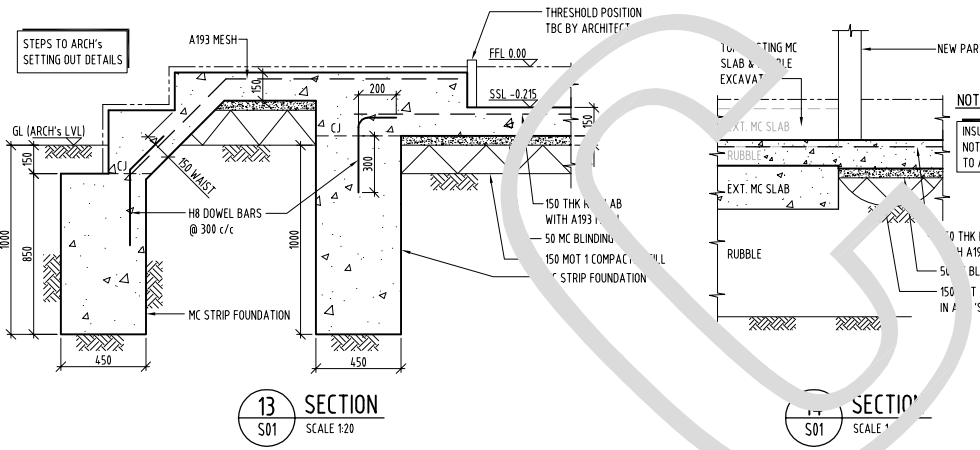
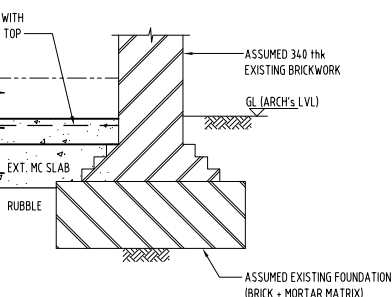
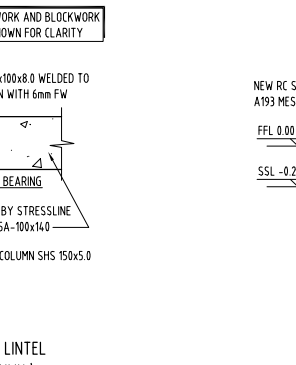
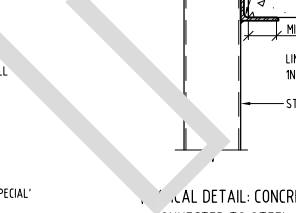
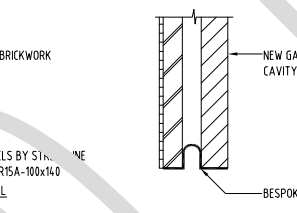
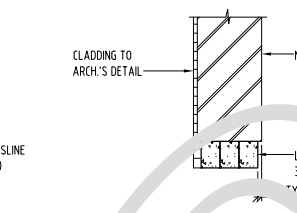
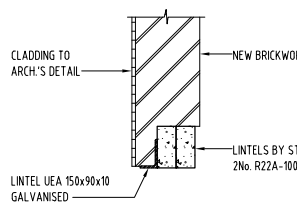
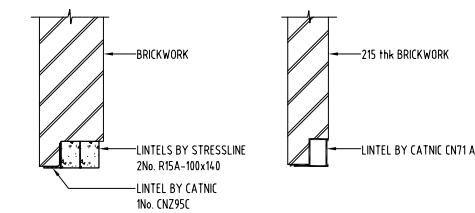
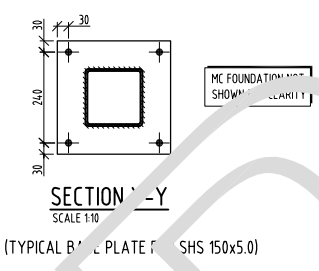
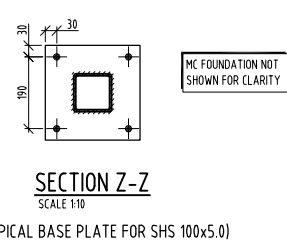
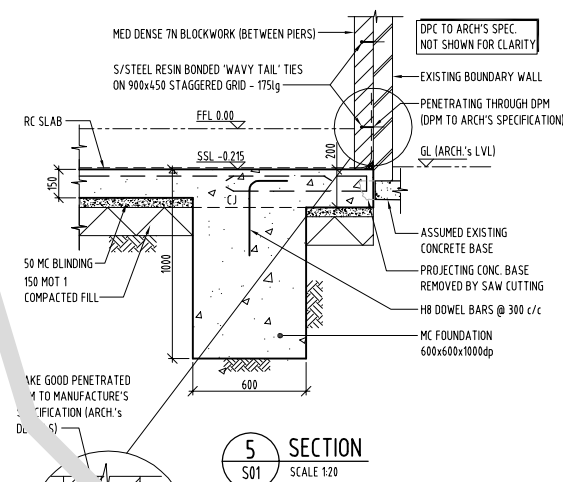
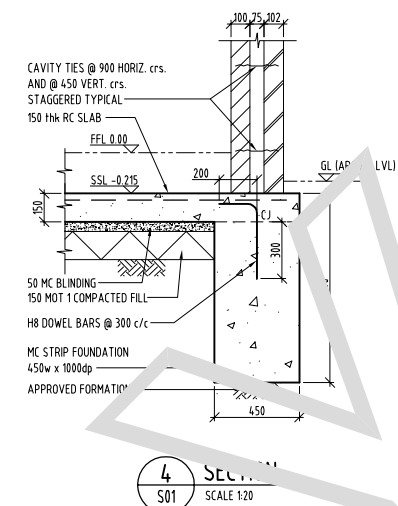
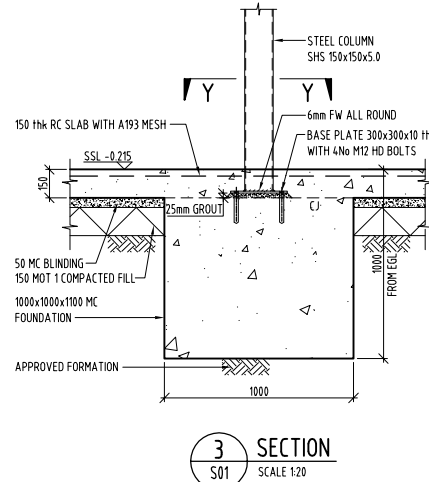
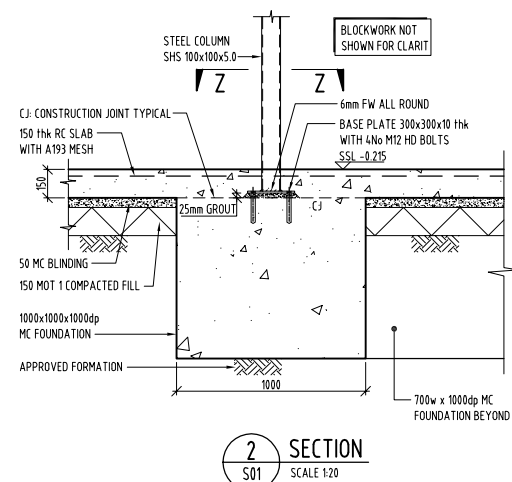
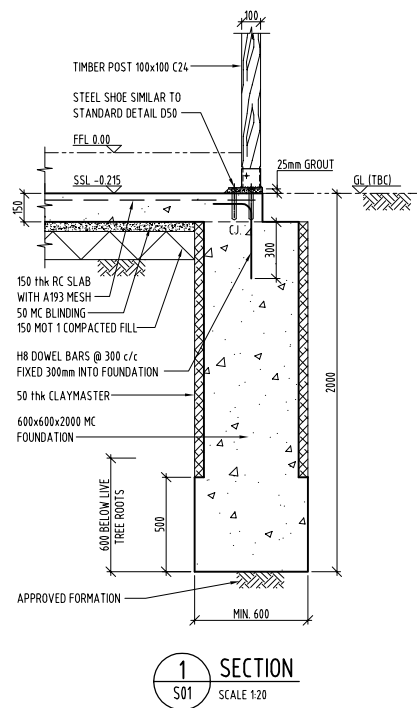


- LEGEND:**
- CAVITY WALL
 - DENOTES WALL UNDER
 - PS1 DENOTES 350lg x 110 x 150dp PADSTONE TO STANDARD DETAIL D30
 - PS2 DENOTES 350lg x 110 x 150dp PADSTONE CLASS 'B' ENGINEERING BRICKWORK 215lg
 - PS3 DENOTES 350lg x 110 x 150dp PADSTONE TO STANDARD DETAIL D30
 - P1 DENOTES 2No. 150x450 PFC POSTS
 - P2 DENOTES 100x100 C24
 - P#(u) DENOTES POST UNDER AS NOTED #
 - DJ DENOTES DOUBLE JOISTS TO DETAIL
 - S1 DENOTES EXISTING JOISTS
 - S2 DENOTES EXISTING RAFTERS
 - S3 DENOTES NEW JOISTS 50x170 C24 @ 400 CRS (TYPICAL)
 - S4 DENOTES LATERAL RESTRAINT STRAP TO DETAIL 5/S.07
 - S5 DENOTES LATERAL RESTRAINT STRAP TO DETAIL 7/S.07
 - S6 DENOTES LATERAL RESTRAINT STRAP TO T.P. DETAIL D4-6
 - R1 DENOTES LATERAL RESTRAINT STRAP TO T.P. DETAIL D4-1
 - R2 DENOTES LATERAL RESTRAINT STRAP TO T.P. DETAIL 6/S.07
 - R3 DENOTES HOLDING RESTRAINT STRAP TO T.P. DETAIL D4-11
 - R4 DENOTES NEW RAFTERS AS EXISTING
 - R5 DENOTES NEW DORMER RAFTERS min. 50x100 C24 @ 400 CRS.
 - ET DENOTES EXISTING TIES FIXED TO NEW FLOOR

ROOF PLAN
SCALE 1:50

NOTES

1. GENERAL:
- 1.1 NO DIMENSIONS ARE TO BE SCALED FROM THIS DRAWING, ALL DIMENSIONS ARE TO BE ESTABLISHED ON SITE.
- 1.2 THIS DRAWING IS TO BE READ WITH ALL RELEVANT ARCHITECTS AND SERVICES ENGINEERS DRAWINGS AND SPECIFICATIONS FOR CONSTRUCTION DETAIL, PLUMBING, DRAINAGE, ELECTRICAL WORK, HEATING WORK, INSULATION, DAMP PROOF DETAILS, VENTILATION, FINISHES, JOINERY ETC.
- 1.3 THE CONTRACTOR IS TO NOTIFY THE CONTRACT ADMINISTRATION (C.A.) OF ANY DISCREPANCIES BETWEEN THIS DRAWING AND SITE CONDITIONS BEFORE IMPLEMENTING THE WORK.
- 1.4 ANY TEMPORARY WORKS NECESSARY SHALL BE THE SOLE RESPONSIBILITY OF THE CONTRACTOR.



NOTES

1. GENERAL

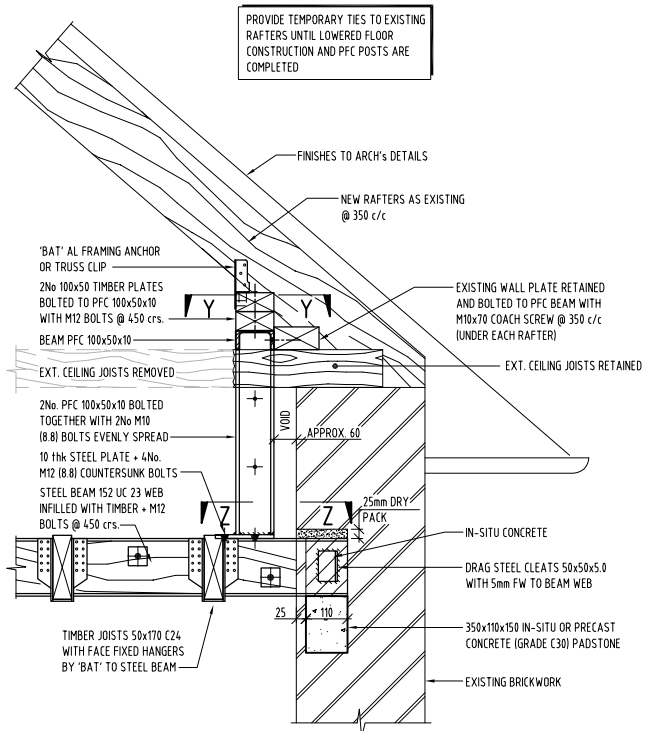
- NO DIMENSIONS ARE TO BE SCALED FROM THIS DRAWING. ALL DIMENSIONS ARE TO BE ESTABLISHED ON SITE.
- THIS DRAWING IS TO BE READ WITH ALL RELEVANT ARCHITECTS AND SERVICES ENGINEERS DRAWINGS AND SPECIFICATIONS FOR CONSTRUCTION DETAIL, PLUMBING, DRAINAGE, ELECTRICAL WORK, HEATING WORK, INSULATION, DAMP PROOF DETAILS, VENTILATION, FINISHES, JOINERY, ETC.
- THE CONTRACTOR IS TO NOTIFY THE CONTRACT ADMINISTRATION (C.A.) OF ANY DISCREPANCIES BETWEEN THIS DRAWING AND SITE CONDITIONS BEFORE IMPLEMENTING THE WORK.
- ALL TEMPORARY WORKS NECESSARY SHALL BE THE SOLE RESPONSIBILITY OF THE CONTRACTOR.

NOTE 'A'

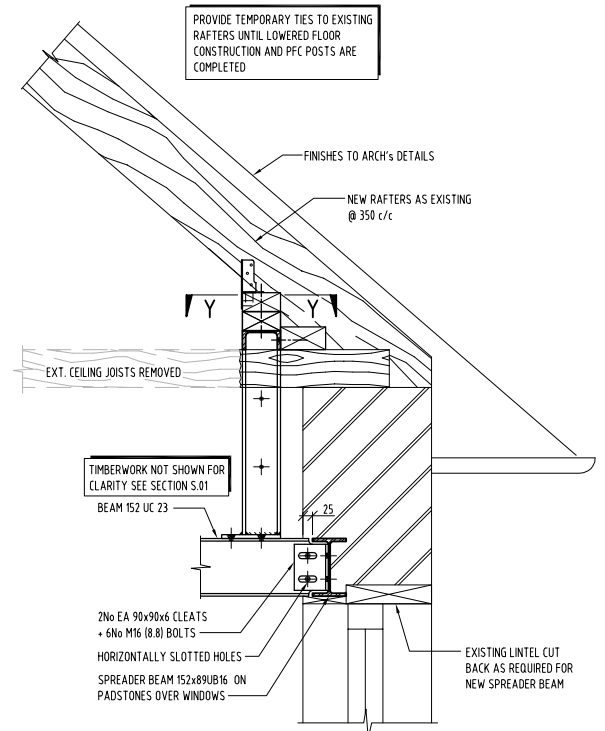
INSULATION, DPM & ETC. NOT SHOWN FOR CLARITY TO ARCH'S DETAILS

NOTE 'B'

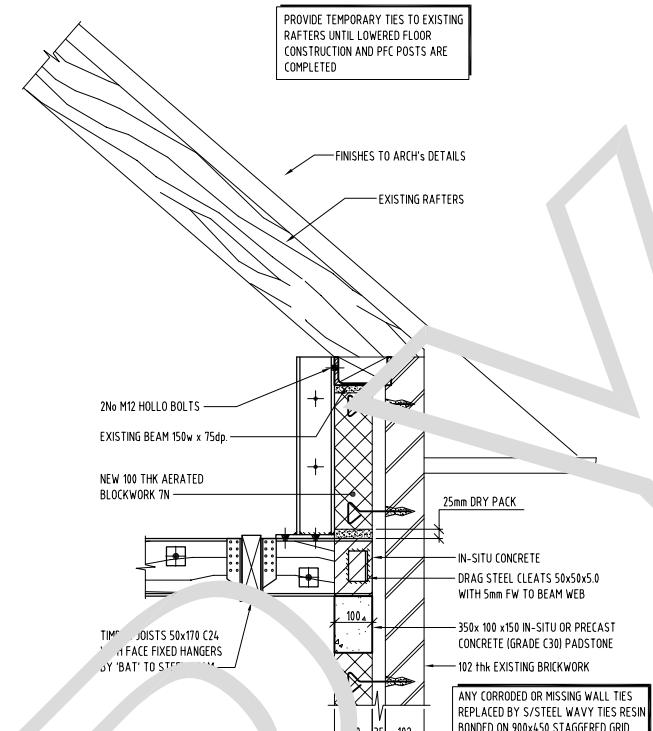
EXCAVATE TO UNDER SIDE OF BLINDING AND USE HARDCORE FOR 'SOFT' SPOTS IF NECESSARY



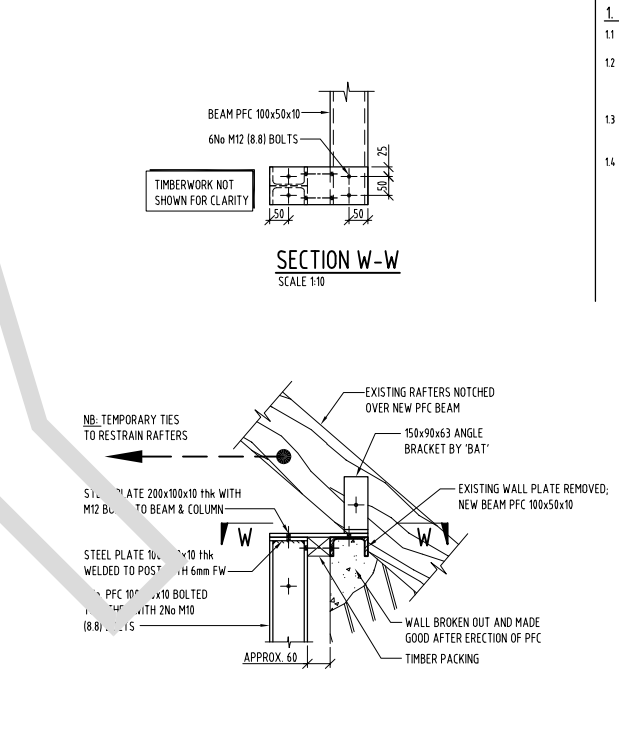
1 SECTION
S03 SCALE 1:10



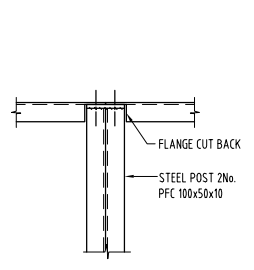
2 SECTION
S03 SCALE 1:10



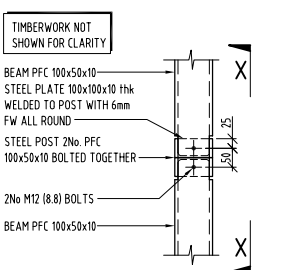
3 SECTION
S03 SCALE 1:10



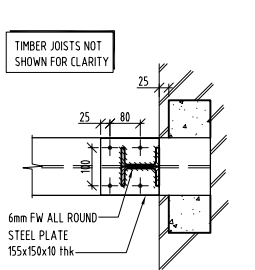
4 SECTION
S03 SCALE 1:10



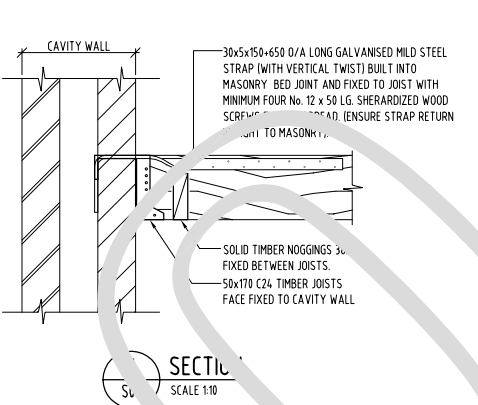
SECTION X-X
SCALE 1:10



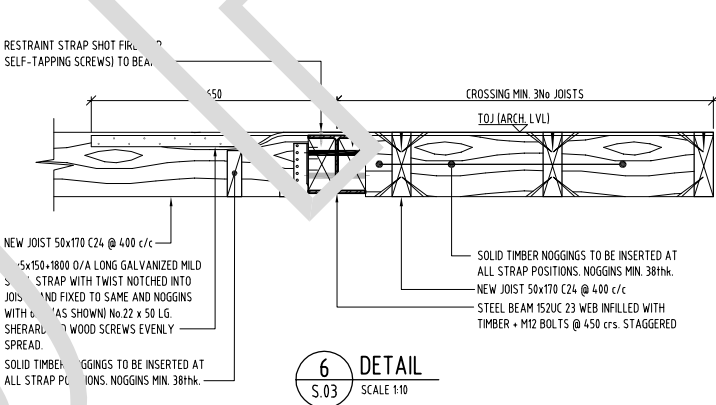
SECTION Y-Y
SCALE 1:10



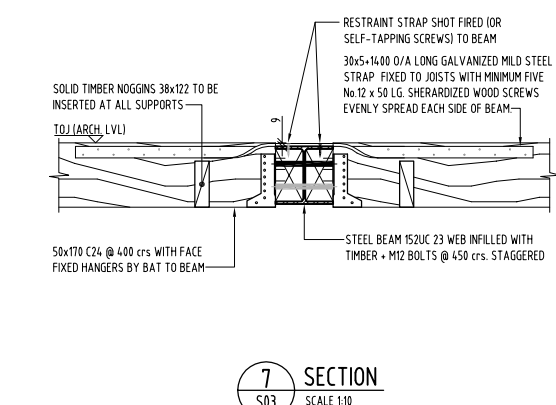
SECTION Z-Z
SCALE 1:10



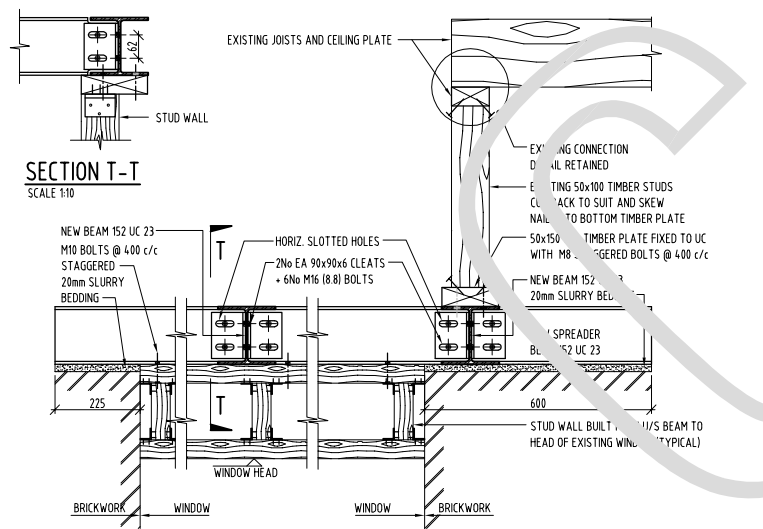
5 SECTION
S03 SCALE 1:10



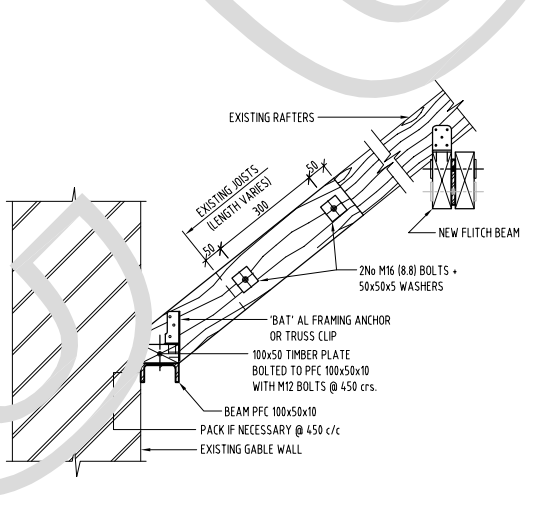
6 DETAIL
S.03 SCALE 1:10



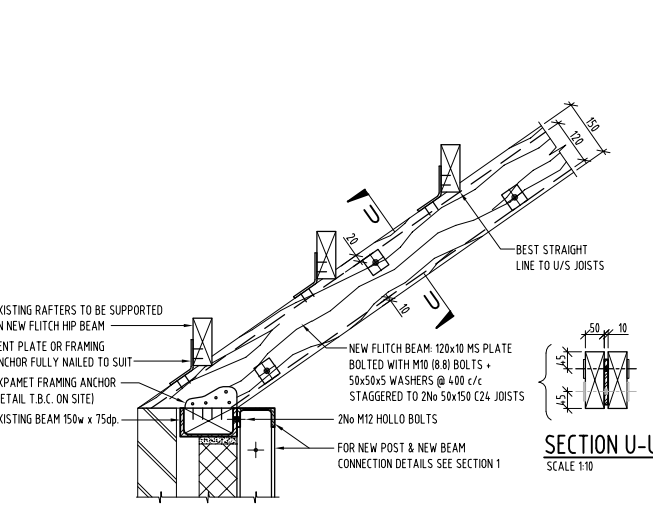
7 SECTION
S03 SCALE 1:10



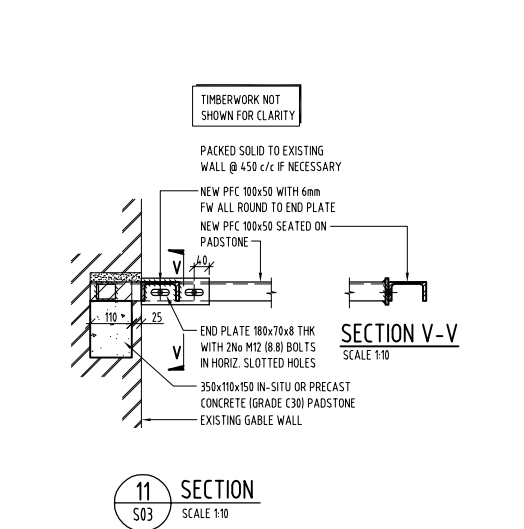
8 SECTION
S03 SCALE 1:10



9 SECTION
S03 SCALE 1:10



10 SECTION
S03 SCALE 1:10



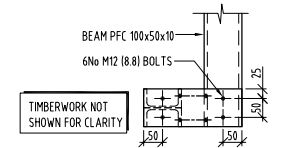
11 SECTION
S03 SCALE 1:10

NOTES

1. GENERAL
11. NO DIMENSIONS ARE TO BE SCALED FROM THIS DRAWING. ALL DIMENSIONS ARE TO BE ESTABLISHED ON SITE.
12. THIS DRAWING IS TO BE READ WITH ALL RELEVANT ARCHITECTS AND SERVICES ENGINEERS DRAWINGS AND SPECIFICATIONS FOR CONSTRUCTION DETAIL, PLUMBING, DRAINAGE, ELECTRICAL WORK, HEATING WORK, INSULATION, DAMP PROOF DETAILS, VENTILATION, FINISHES, JOINERY, ETC.
13. THE CONTRACTOR IS TO NOTIFY THE CONTRACT ADMINISTRATION (C.A.) OF ANY DISCREPANCIES BETWEEN THIS DRAWING AND SITE CONDITIONS BEFORE IMPLEMENTING THE WORK.
14. ALL TEMPORARY WORKS NECESSARY SHALL BE THE SOLE RESPONSIBILITY OF THE CONTRACTOR.

NOTE 'A'

INSULATION, DPM & ETC. NOT SHOWN FOR CLARITY TO ARCH'S DETAILS



SECTION W-W
SCALE 1:10