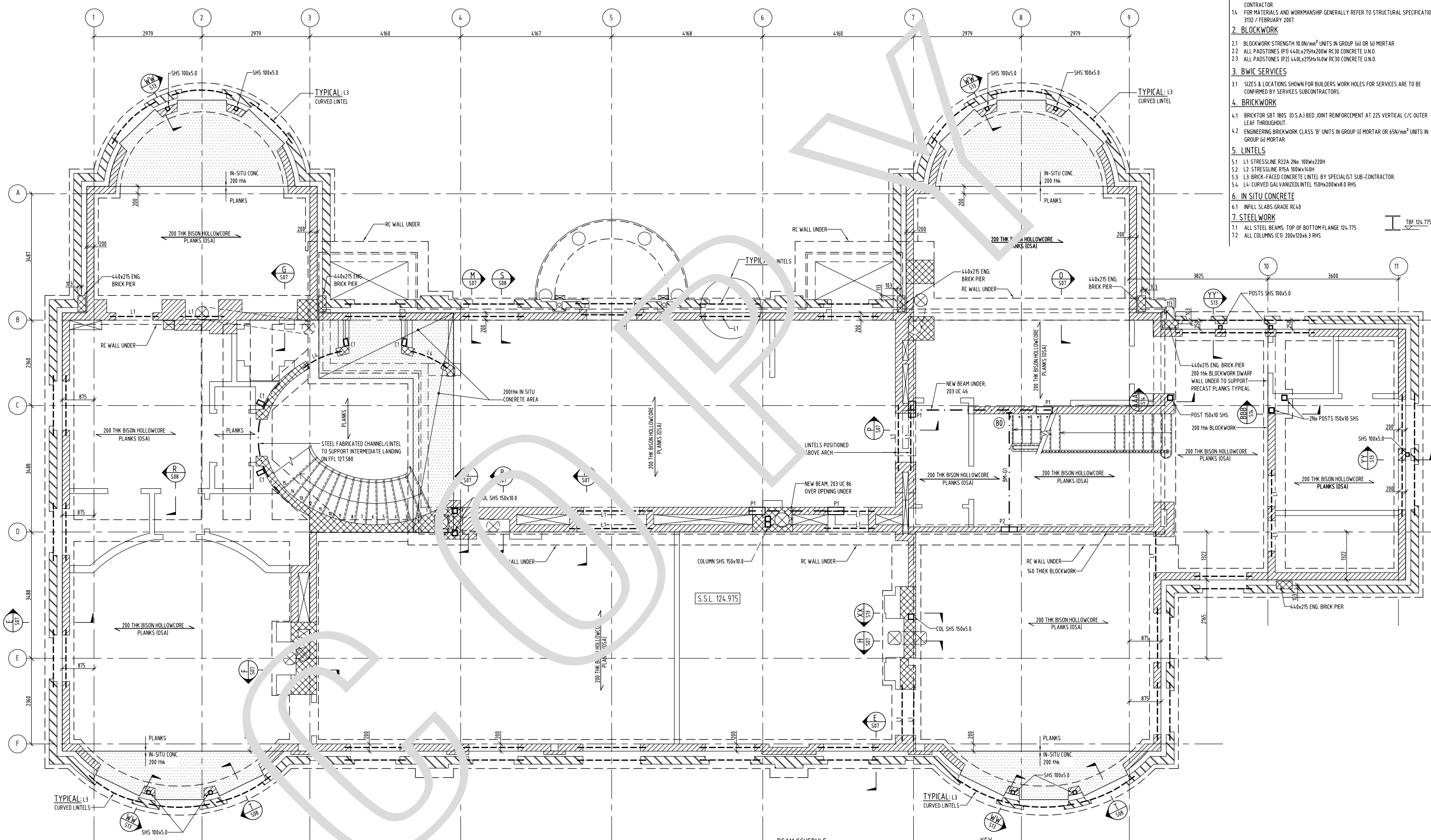


**NOTES**

1. GENERAL
- 1.1 NO DIMENSIONS ARE TO BE SCALED FROM THIS DRAWING.
- 1.2 THIS DRAWING IS TO BE READ WITH ALL RELEVANT ARCHITECTS AND SERVICES ENGINEERS DRAWINGS AND SPECIFICATIONS.
- 1.3 ANY TEMPORARY WORKS NECESSARY SHALL BE THE SOLE RESPONSIBILITY OF THE CONTRACTOR.
- 1.4 FOR MATERIALS AND WORKMANSHIP GENERALLY REFER TO STRUCTURAL SPECIFICATION 3132 / FEBRUARY 2007.
2. BLOCKWORK
- 2.1 BLOCKWORK STRENGTH 10 MN/mm<sup>2</sup> UNITS IN GROUP (iii) OR (iv) MORTAR
- 2.2 ALL PADSTONES (P1) 440Lx215Hx200W RC30 CONCRETE U.N.O.
- 2.3 ALL PADSTONES (P2) 440Lx215Hx140W RC30 CONCRETE U.N.O.
3. BWIC SERVICES
- 3.1 SIZES & LOCATIONS SHOWN FOR BUILDERS WORK HOLES FOR SERVICES ARE TO BE CONFIRMED BY SERVICES SUBCONTRACTORS.
4. BRICKWORK
- 4.1 BRICKTOR SBT 180S (O.S.A) BED JOINT REINFORCEMENT AT 225 VERTICAL C/C OUTER LEAF THROUGHOUT.
- 4.2 ENGINEERING BRICKWORK CLASS 'B' UNITS IN GROUP (i) MORTAR OR 65N/mm<sup>2</sup> UNITS IN GROUP (ii) MORTAR.
5. LINTELS
- 5.1 L1 STRESSLINE R22A 2No 100Wx220H
- 5.2 L2 STRESSLINE R15A 100Wx140H
- 5.3 L3 BRICK-FACED CONCRETE LINTEL BY SPECIALIST SUB-CONTRACTOR.
- 5.4 L4 CURVED GALVANIZED LINTEL 150Hx200Wx8.0 RHS
6. IN SITU CONCRETE
- 6.1 INFILL SLABS GRADE RC40
7. STEELWORK
- 7.1 ALL STEEL BEAMS TOP OF BOTTOM FLANGE 124.775
- 7.2 ALL COLUMNS (C1) 200x120x6.3 RHS



**GROUND PLAN**  
150

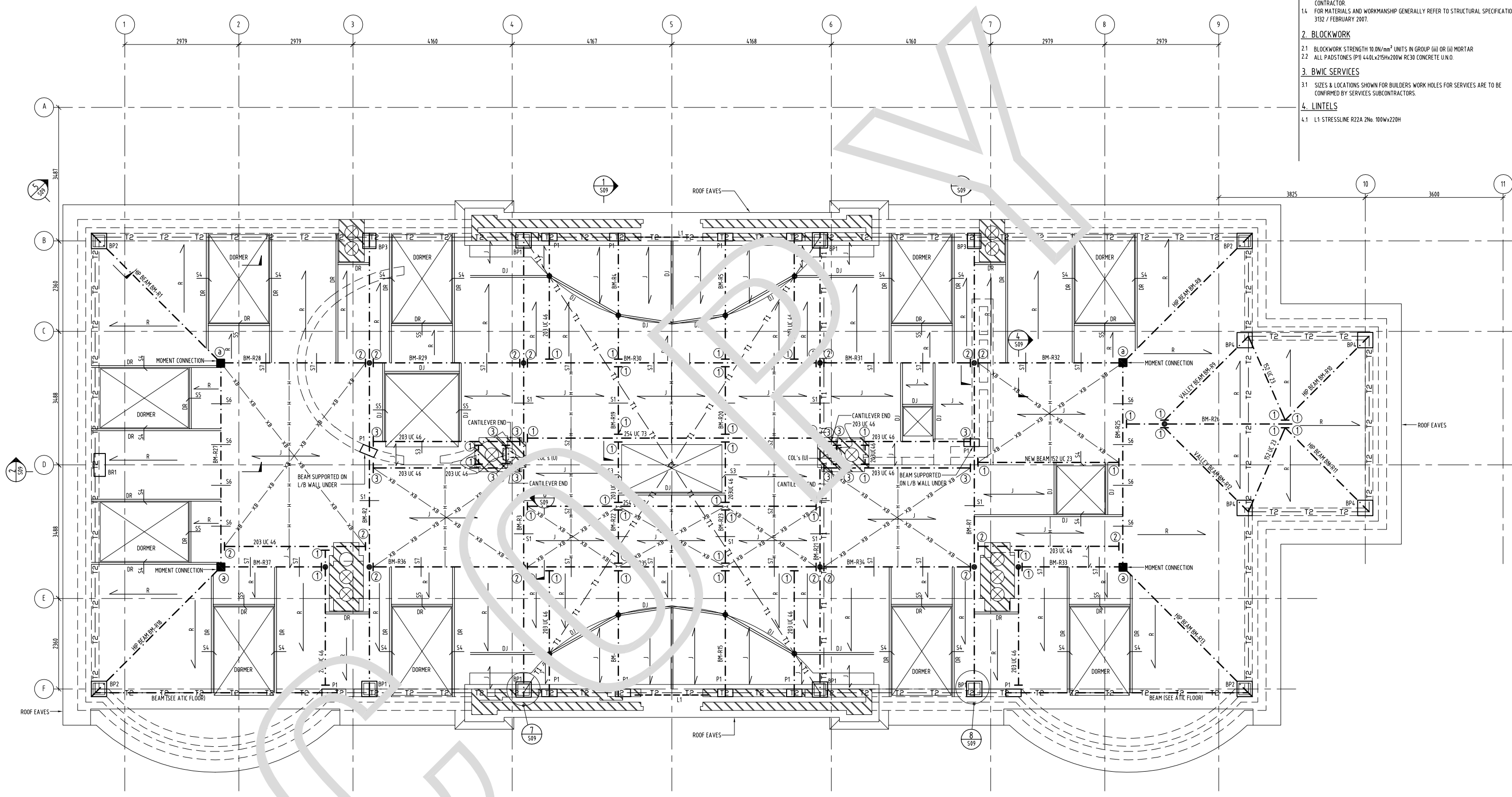
**BEAM SCHEDULE**

BEAM	BEAM TYPE	BEAM LOCATION
BM-G1	203 UC 46	GROUND
BM-G2	203 UC 46	GROUND

- KEY**
- BLOCKWORK WALLS 200 THK 10N/mm<sup>2</sup> SO, EXCEPT FOR 140 THICKNESS WHERE NOTED.
  - BRICK WALLS 215 THK.
  - ENGINEERING BRICK WALLS
  - RC WALLS UNDER
  - LOAD BEARING WALLS UNDER
  - NON LOADBEARING WALL
  - LINTEL OVER
  - BEAM UNDER U.N.O.
  - DIRECTION OF PRECAST PLANK SPAN
  - FACTORED LOAD IN kN FOR DESIGN OF STEEL CONNECTION

**NOTES**

1. GENERAL
  - 1.1 NO DIMENSIONS ARE TO BE SCALED FROM THIS DRAWING.
  - 1.2 THIS DRAWING IS TO BE READ WITH ALL RELEVANT ARCHITECTS AND SERVICES ENGINEERS DRAWINGS AND SPECIFICATIONS.
  - 1.3 ANY TEMPORARY WORKS NECESSARY SHALL BE THE SOLE RESPONSIBILITY OF THE CONTRACTOR.
  - 1.4 FOR MATERIALS AND WORKMANSHIP GENERALLY REFER TO STRUCTURAL SPECIFICATION 3132 / FEBRUARY 2007.
2. BLOCKWORK
  - 2.1 BLOCKWORK STRENGTH 10.0N/mm<sup>2</sup> UNITS IN GROUP (iii) OR (iv) MORTAR
  - 2.2 ALL PADSTONES (P1) 440Lx215Hx200W RC30 CONCRETE U.N.O.
3. BWIC SERVICES
  - 3.1 SIZES & LOCATIONS SHOWN FOR BUILDERS WORK HOLES FOR SERVICES ARE TO BE CONFIRMED BY SERVICES SUBCONTRACTORS.
4. LINTELS
  - 4.1 L1 STRESSLINE R22A 2No. 100Wx220H



**SIMPLE CONNECTIONS**

No	FORCES	LOAD kN
1	AXIAL	50
	SHEAR	50
2	AXIAL	100
	SHEAR	50
3	AXIAL	50
	SHEAR	150

**MOMENT CONNECTIONS**

No	FORCES	LOAD kN
1	AXIAL	85
	SHEAR	60
a	MOMENT ABOUT MINOR AXIS	10
	MOMENT ABOUT MAJOR AXIS	20

ROOF BRACING (XB) = AXIAL FORCE = 10kN  
 FLOOR TIE (T1) = AXIAL FORCE = 35kN  
 PERIMETER TIE (T2) = AXIAL FORCE = 15kN  
**NOTE:** ALL LOADS ARE FACTORED LOADS FOR DESIGN OF STEEL CONNECTION.

**BEAM SCHEDULE**

BEAM	BEAM TYPE	BEAM LOCATION
BM-R1	UC203 x 46	ROOF
BM-R2	UC254 x 73	ROOF
BM-R3	UC203 x 46	ROOF
BM-R4	UC203 x 46	ROOF
BM-R5	UC203 x 46	ROOF
BM-R6	UC203 x 46	ROOF
BM-R7	UC254 x 73	ROOF
BM-R8	UC203 x 46	ROOF
BM-R9	UC203 x 46	ROOF
BM-R10	UC152 x 23	ROOF
BM-R11	UC152 x 23	ROOF
BM-R12	UC152 x 23	ROOF
BM-R13	UC203 x 46	ROOF
BM-R14	UC203 x 46	ROOF
BM-R15	UC203 x 46	ROOF
BM-R16	UC203 x 46	ROOF
BM-R17	UC305 x 118	ROOF
BM-R18	UC203 x 46	ROOF
BM-R19	UC203 x 46	ROOF

**BEAM SCHEDULE**

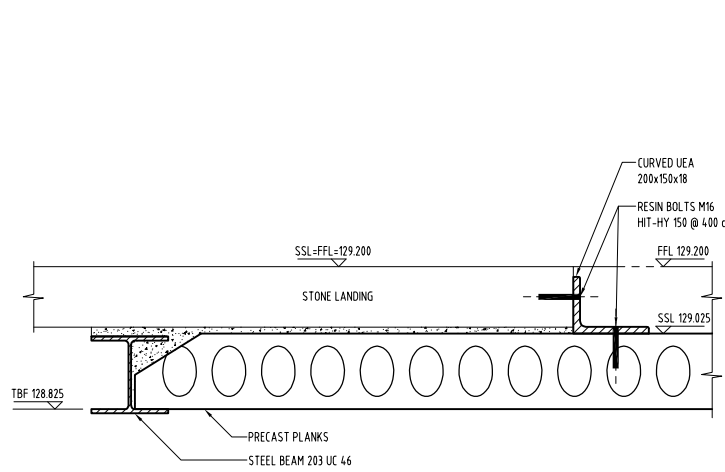
BEAM	BEAM TYPE	BEAM LOCATION
BM-R20	UC203 x 46	ROOF
BM-R21	UC305 x 118	ROOF
BM-R22	UC203 x 46	ROOF
BM-R23	UC203 x 46	ROOF
BM-R24	UC305 x 118	OMITTED
BM-R25	UC305 x 118	ROOF
BM-R26	UC152 x 23	ROOF
BM-R27	UC305 x 118	ROOF
BM-R28	UC203 x 46	ROOF
BM-R29	UC203 x 46	ROOF
BM-R30	UC305 x 118	ROOF
BM-R31	UC203 x 46	ROOF
BM-R32	UC203 x 46	ROOF
BM-R33	UC203 x 46	ROOF
BM-R34	UC203 x 46	ROOF
BM-R35	UC305 x 118	ROOF
BM-R36	UC203 x 46	ROOF
BM-R37	UC203 x 46	ROOF

**KEY**

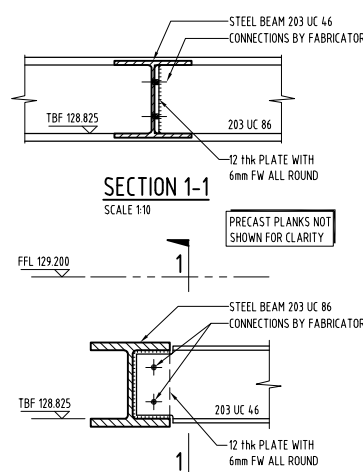
- BRICK WALL 215 thk.
- LOAD BEARING WALL UNDER
- HERRING BONE STRUTTING TO STANDARD DETAIL D51
- T1 TIE 75x10 FLAT TIE AT 132.175
- T2 TIE 100x10 EA AT 132.651
- XB 50x6 M.S. FLAT CROSS BRACING AT 135.193
- JOIST 50x200 C24 @ 400 c/c
- R RAFTERS 50x200 C24 @ 400 c/c
- CRANK IN BEAM
- BEAM

- P1 PADSTONE 440x215Hx200W RC30 IN-SITU CONC. & DRAG CLEATS TO DETAIL D30
- BP1 BOTTOM STEEL PLATE 400x400x15 thk + TOP STEEL PLATE 350x350x15 thk WITH SLOTTED HOLES TO DETAIL
- BP2 BOTTOM STEEL PLATE 400x400x15 thk + TOP STEEL PLATE 350x350x15 thk WITH SLOTTED HOLES TO DETAIL
- BP3 BOTTOM STEEL PLATE 400x400x15 thk + TOP STEEL PLATE 350x350x15 thk WITH SLOTTED HOLES TO DETAIL
- BP4 STEEL BASE PLATE 400x400x15 thk + 4No M16 HILTY HIT-HY 150 RESIN ANCHORS WITH HILTY INJECTION MORTAR
- BR1 BRACKET SUPPORTING TIE 'T2' TO DETAIL

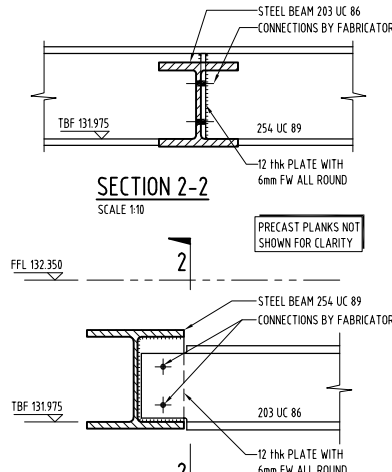
- S1 RESTRAINT STRAP TO DETAIL D415
- S2 RESTRAINT STRAP TO DETAIL D403
- S3 RESTRAINT STRAP TO DETAIL D412
- S4 RESTRAINT STRAP TO DETAIL D407
- S5 RESTRAINT STRAP TO DETAIL D408
- S6 RESTRAINT STRAP TO SECTION 2/S09
- S7 RESTRAINT STRAP TO SECTION 4/S09



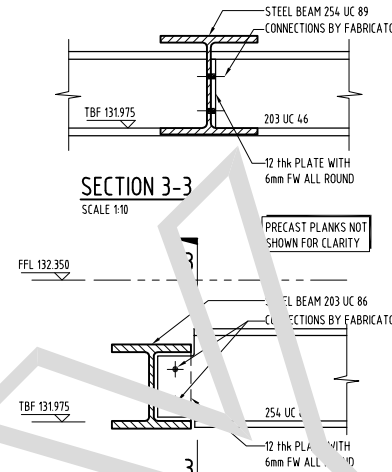
**JJ SECTION**  
S.04 1:10



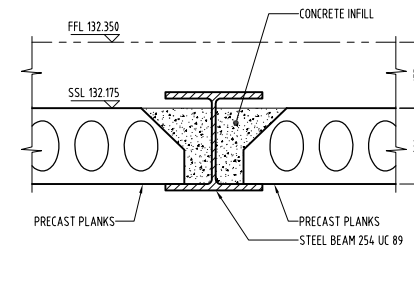
**KK SECTION**  
S.04 1:10



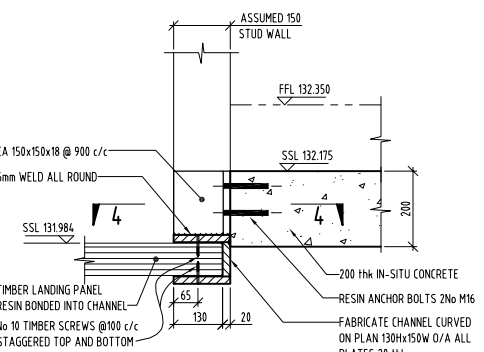
**LL SECTION**  
S.05 1:10



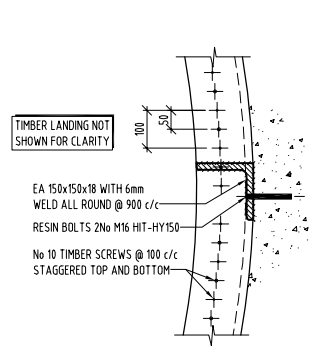
**MM SECTION**  
S.05 1:10



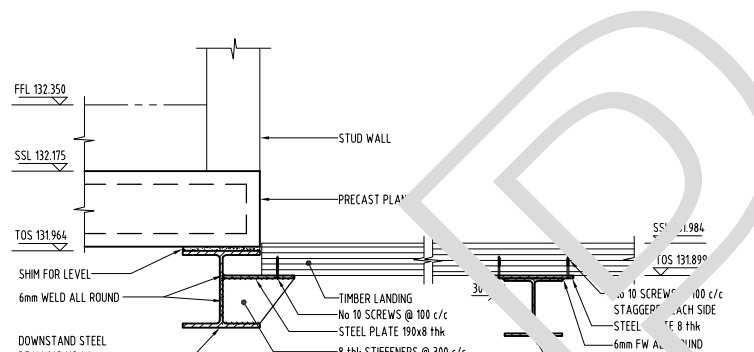
**NN SECTION**  
S.05 1:10



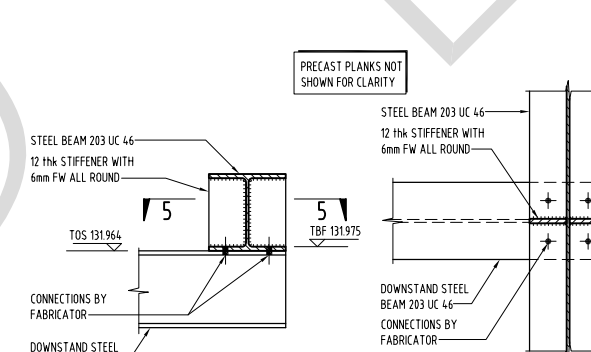
**OO SECTION**  
S.05 1:10



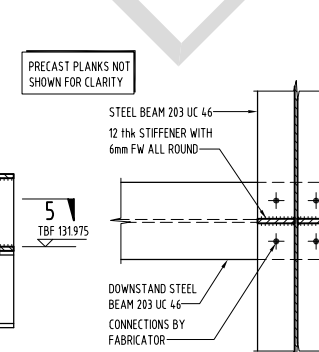
**SECTION 4-4**  
SCALE 1:10



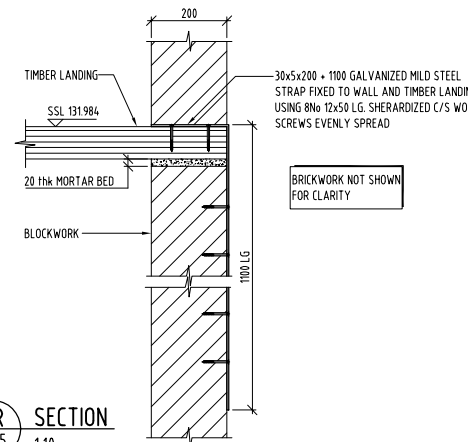
**PP SECTION**  
S.05 1:10



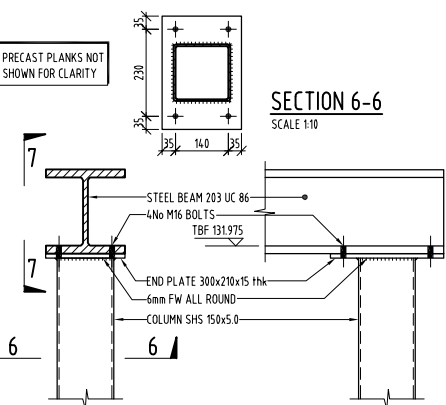
**QQ SECTION**  
S.05 1:10



**SECTION 5-5**  
SCALE 1:10

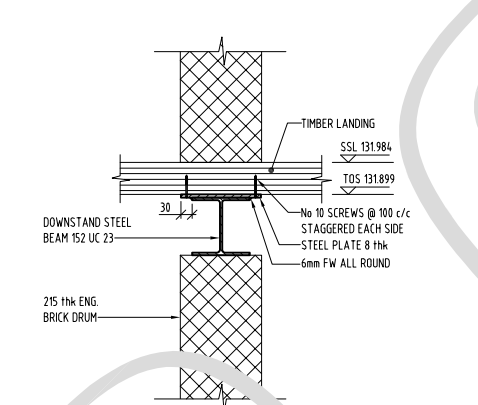


**RR SECTION**  
S.05 1:10

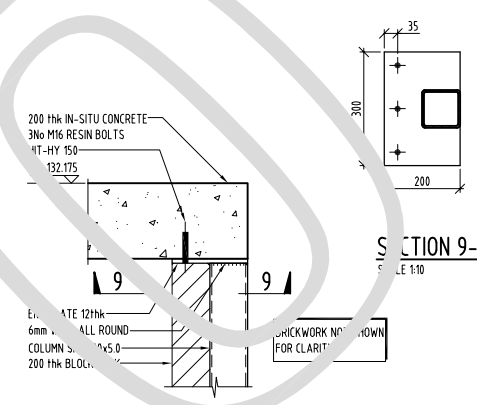


**SS SECTION**  
S.05 1:10

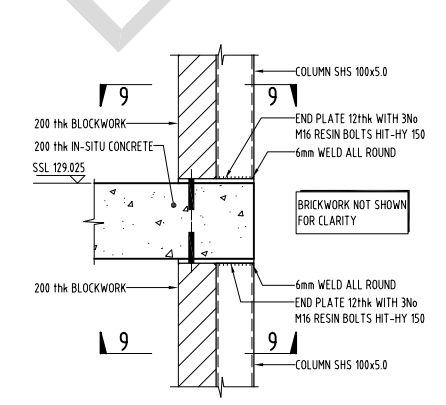
**SECTION 7-7**  
SCALE 1:10



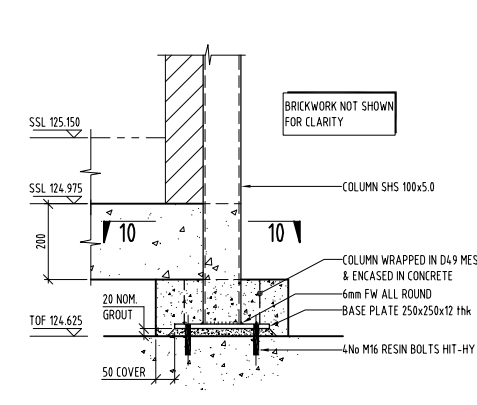
**TT SECTION**  
S.05 1:10



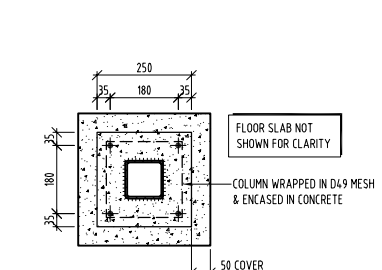
**UU SECTION**  
S.05 1:10



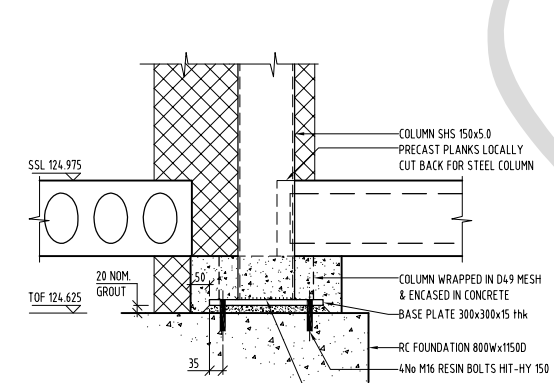
**VV SECTION**  
S.04 1:10



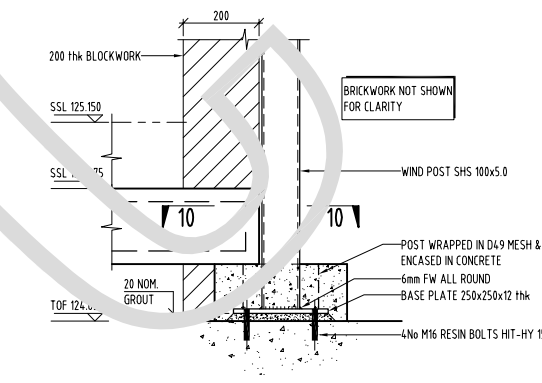
**WW SECTION**  
S02/03 1:10



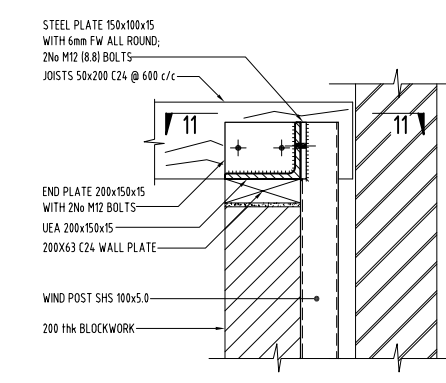
**SECTION 10-10**  
SCALE 1:10



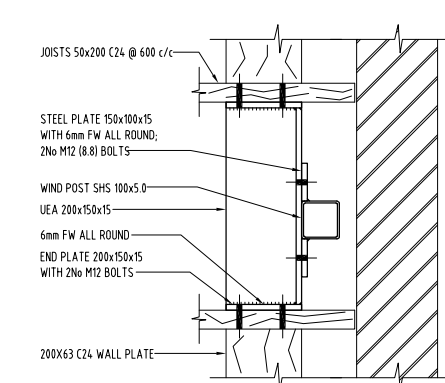
**XX SECTION**  
S02/03 1:10



**YY SECTION**  
S02/03 1:10  
(YY' SIMILAR)



**ZZ SECTION**  
S04 1:10  
(ZZ' SIMILAR)



**SECTION 11-11**  
SCALE 1:10

**NOTES**

- GENERAL
  - NO DIMENSIONS ARE TO BE SCALED FROM THIS DRAWING.
  - THIS DRAWING IS TO BE READ WITH ALL RELEVANT ARCHITECTS AND SERVICES ENGINEERS DRAWINGS AND SPECIFICATIONS.
  - ANY TEMPORARY WORKS NECESSARY SHALL BE THE SOLE RESPONSIBILITY OF THE CONTRACTOR.
  - FOR MATERIALS AND WORKMANSHIP GENERALLY REFER TO STRUCTURAL SPECIFICATION 3132 / FEBRUARY 2007.
- CONCRETE
  - MIXES: FOUNDATION BASEMENT, STAIRS AND STRUCTURAL TOPPING: DESIGNATED MIX RC40.
  - FORMED FINISHES: LIGHTWELL INTERNAL WALLS: PLAIN SMOOTH FINISH. ALL OTHER SURFACES: BASIC FINISH.
  - WORKED FINISHES: SMOOTH FLOATED FINISH THROUGHOUT.
  - CONSTRUCTION JOINTS: POSITIONS AS SHOWN MARKED (CJ) THROUGH SLAB AND AT 5.0m HORIZONTAL SPACING AS SHOWN IN WALLS. ALL SUCH JOINTS TO INCORPORATE CHEMICAL WATERSTOPS IN ACCORDANCE WITH DAVID BAU GROUP REQUIREMENTS.
  - ALL PENETRATIONS TO INCORPORATE CHEMICAL WATERSTOPS IN ACCORDANCE WITH ARCHITECTS REQUIREMENTS.
- BLOCKWORK
  - BLOCKWORK STRENGTH 10.0N/mm<sup>2</sup> UNITS IN 1:16 MORTAR.
- BWIC SERVICES
  - SIZES & LOCATIONS SHOWN FOR BUILDERS WORK HOLES FOR SERVICES ARE TO BE CONFIRMED BY SERVICES SUBCONTRACTORS.